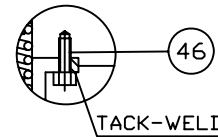
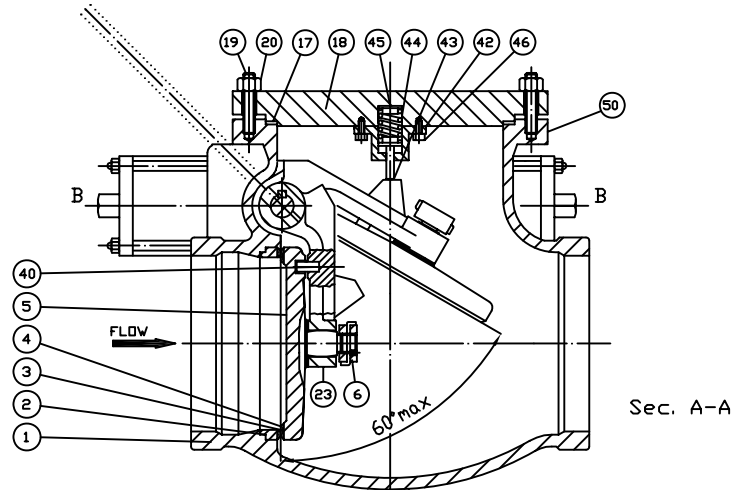
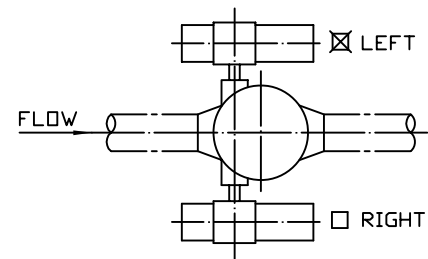
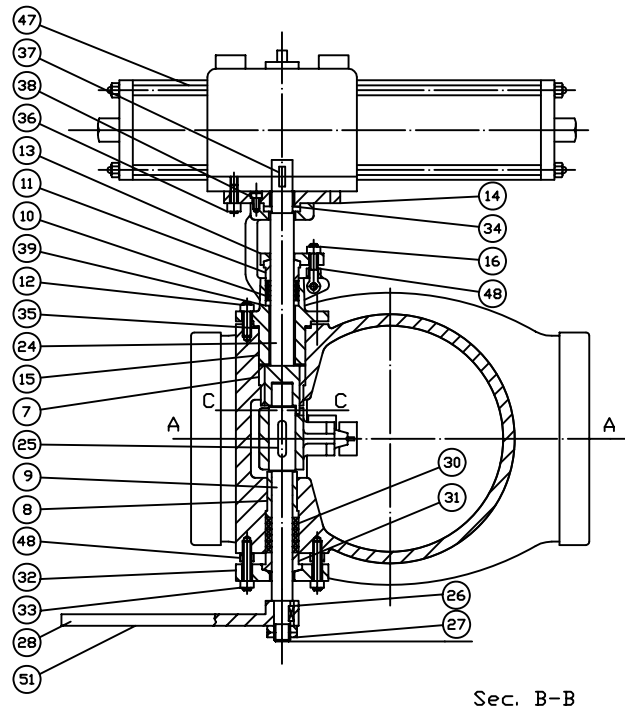
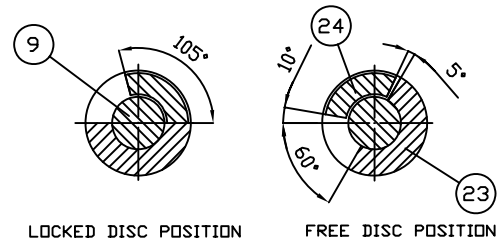


# STEAM EXTRACTION VALVE (NRV)

POWER ACTUATED CHECK VALVES WITH PNEUMATIC ACTUATOR  
 SWING DISCK TYPE – TESTABLE VALVES  
 BOLTED BONNET, BUTT WELDING ENDS



Sec C-C: CLAW CLUTCH PARTICULAR FOR LEVER CONTROL



POS.	DESCRIPTION
1	BODY
2	SEAT RING
3	SEAT FACING
4	DISC FACING
5	DISC
6	DISC/NUT/PIN/GRUB
7	SHAFT BUSHING
8	BUSHING
9	ARM PIN
10	PACKING
11	GLAND
12	BOLT/NUT
13	GLAND FLANGE
14	FLANGE
15	YOKE
16	EYEBOLT/NUT/PIN
17	BODY/BONNET/GASKET
18	COVER
19	BOLT
20	NUT
23	ARM
24	SHAFT
25	KEY
26	LEVER KEY
27	LEVER NUT
28	COUNTERWEIGHT LEVER
30	PACKING
31	GLAND
32	GLAND FLANGE
33	BOLT/NUT
34	BUSHING
35	GASKET
36	BOLT/NUT
37	KEY
38	SCREWS
39	JUNK RING
40	ANTIROTATING DEVICE
42	BONNET
43	PIN
44	SPRING
45	CAP
46	SCREWS
47	PNEUMATIC ACTUATOR
48	OVERTIGHTENING DEVICE
50	NAMEPLATE
51	NAMEPLATE